

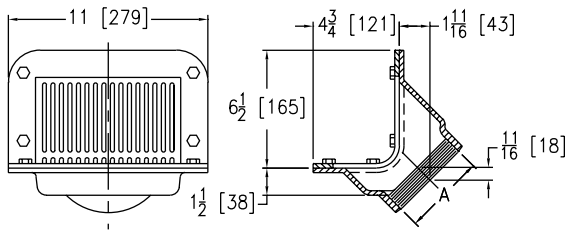
Z189 5" X 6" X 11" SCUPPER DRAIN



ENGINEERING SPECIFICATION

Zurn Z189 5" x 6" x 11" scupper drain features Dura-Coated cast iron body with 45° outlet and flush type aluminum strainer with combination aluminum frame and membrane flashing clamp.

A Pipe Size inches [mm]	Grate Open Area sq in [cm ²]	Approximate Weight lb [kg]
2 [51]	20 [129]	18 [8]
3 [76]		
4 [102]		



PREFIXES	DESCRIPTION	PIPE SIZE	LIST PRICE
Z189*	D.C.C.I. Body with Aluminum Grate	2", 3", 4"	671.00
ZB189	D.C.C.I. Body with Polished Bronze Grate	2", 3", 4"	1,358.00
ZN189	D.C.C.I. Body with Polished Nickel Bronze Grate	2", 3", 4"	1,672.00

OUTLETS (SPECIFY PIPE SIZE IN INCHES AND TYPE OF OUTLET)			
OUTLET TYPE		OUTLET DESIGNATION (PIPE SIZE/OUTLET TYPE)	ADD
IP	Threaded	2IP, 3IP, 4IP	N/C
NH	No-Hub (IP w/Z1040)	2NH, 3NH, 4NH	N/C
SUFFIXES			
			ADD
-G	Galvanized Cast Iron		242.00
-TS	Secured Top		58.00
-VP	Vandal-Proof Secured Top		58.00
-90	Threaded Side Outlet Body		N/C

BEST SELLERS		LIST PRICE
ZN189-3IP		1,672.00
Z189-4NH		671.00

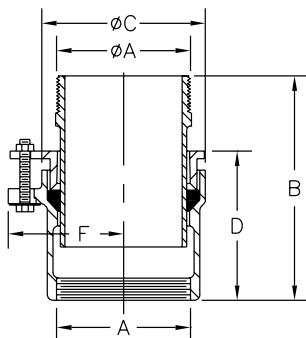
Z190 VERTICAL EXPANSION JOINT



ENGINEERING SPECIFICATION

Zurn ZRB190 vertical expansion joint features Dura-Coated cast iron body, packing gland, and siliconed bronze sleeve with preformed neoprene packing gasket.

Dimensions in inches [mm]						Approximate Weight lb [kg]
A	B		C	D	F	
	Min.	Max.				
2 [51]			3-5/8 [92]	5 [127]	2-3/4 [70]	8 [4]
3 [76]	6-1/2 [165]	8-1/2 [216]	4-5/8 [117]		3-1/4 [83]	11 [5]
4 [102]			5-1/2 [140]	4-3/4 [121]	3-3/4 [95]	13 [6]
6 [152]	6-7/8 [175]	8-5/8 [219]	7-7/8 [200]	5 [127]	5 [127]	25 [11]
8 [203]	7-7/8 [200]	10-7/8 [276]	9-7/8 [251]		6 [152]	35 [16]
10 [254]			11-3/4 [298]	6 [152]	6-7/8 [175]	45 [20]



PREFIXES	DESCRIPTION	PIPE SIZE	LIST PRICE
ZRB190*	D.C.C.I. Body with Polished Bronze Sleeve	2"	660.00
		3"	704.00
		4"	798.00
		6"	1,328.00
		8"	2,343.00
		10"	4,875.00

OUTLETS (SPECIFY PIPE SIZE IN INCHES AND TYPE OF OUTLET)			
OUTLET TYPE		OUTLET DESIGNATION (PIPE SIZE/OUTLET TYPE)	'D' BODY HT. DIM. ADD
IP	Threaded	2IP, 3IP, 4IP, 6IP, 8IP, 10IP	(See Chart) N/C
NH	No-Hub	2NH, 3NH, 4NH, 6NH, 8NH, 10NH	(See Chart) N/C

SUFFIXES		ADD
-G Galvanized Cast Iron		180.00
BEST SELLERS		LIST PRICE
ZRB190-4NH		798.00
ZRB190-8IP		2,343.00

Supplied By:



877-903-7246

www.commercialplumbingsupply.com